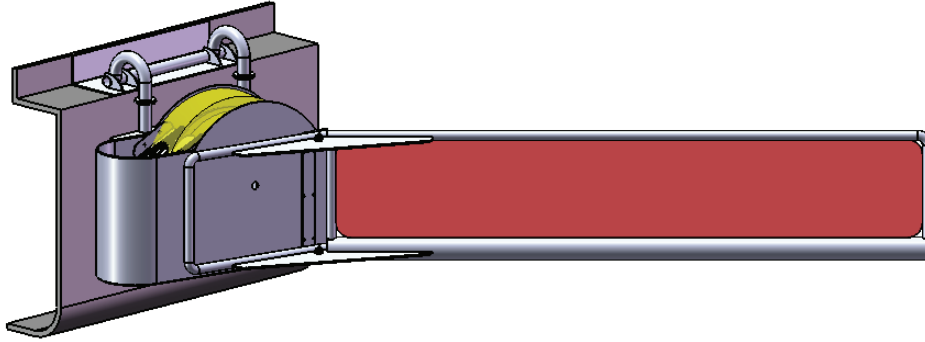


JOUSMOR® - SIDE COLLECTOR

The new JOUSMOR® side collector is suitable for small boats, and is ergonomic, making it simple to attach during preparation for deployment, it collects 18 cubic metres of oil.



The floating, self-supporting, water and oil directing containment boom, which is installed at a 45 degree angle to the collector, is light and easy to attach. The length of the containment boom can be adjusted, as needed, from 2 metres to 3 metres.



Collector structure

Length	800 mm
Width	250 mm
Height	450 mm
Weight	29 kg

Containment boom structure

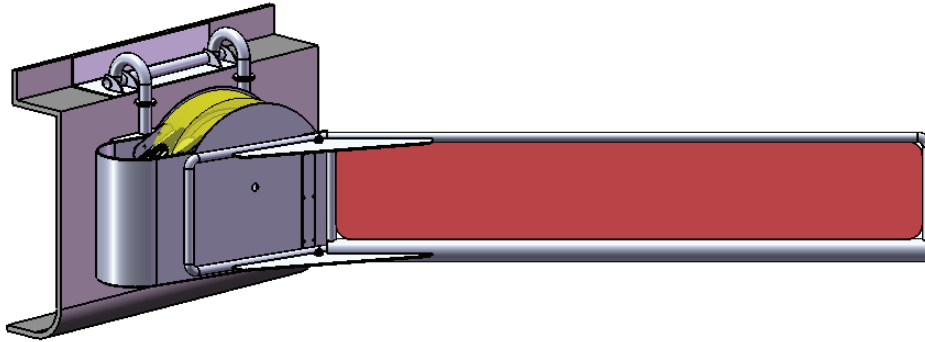
PVC fabric or Flex material
Frame ALU pipe frame

Working conditions

Water temperature 0 to + 50 °C
Separation 5 to 10 %

JOUSMOR® - SIDE COLLECTOR

The new JOUSMOR® side collector is suitable for small boats, and is ergonomic, making it simple to attach during preparation for deployment, it collects 18 cubic metres of oil.



The floating, self-supporting, water and oil directing containment boom, which is installed at a 45 degree angle to the collector, is light and easy to attach. The length of the containment boom can be adjusted, as needed, from 2 metres to 3 metres.



Collector structure

Length	800 mm
Width	250 mm
Height	450 mm
Weight	29 kg

Containment boom structure

PVC fabric or Flex material
Frame ALU pipe frame

Working conditions

Water temperature 0 to + 50 °C
Separation 5 to 10 %