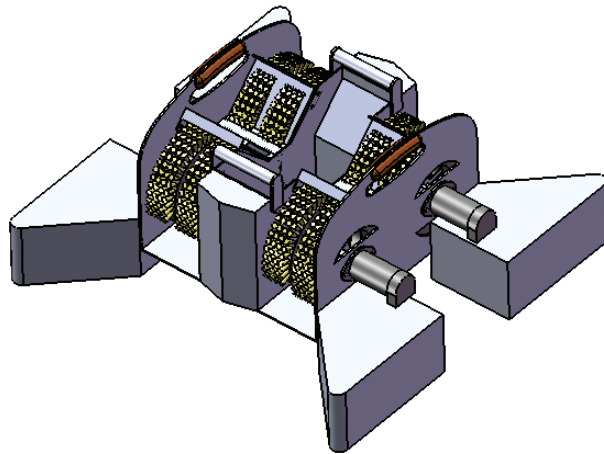
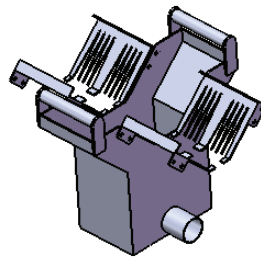


## JOUSMOR® - H4 PA

The JOUSMOR® skimmer is suitable for removing oil from a boomed area. The collector which operates on floats is equipped with a collection station and four collecting brushes which rotate in opposite directions. The efficient collector is stable and can support heavy loads when collecting oil.



The oil collection station can be removed for cleaning and for changing brushes, depending on the different qualities of oil.



### Collector dimensions

Length 800 mm  
Width 850 mm  
Height 350 mm  
Weight 38 kg  
Exhaust pipe 3"

### Collector capacity

Capacity 32 m<sup>3</sup>  
Separation 5 to 10 %