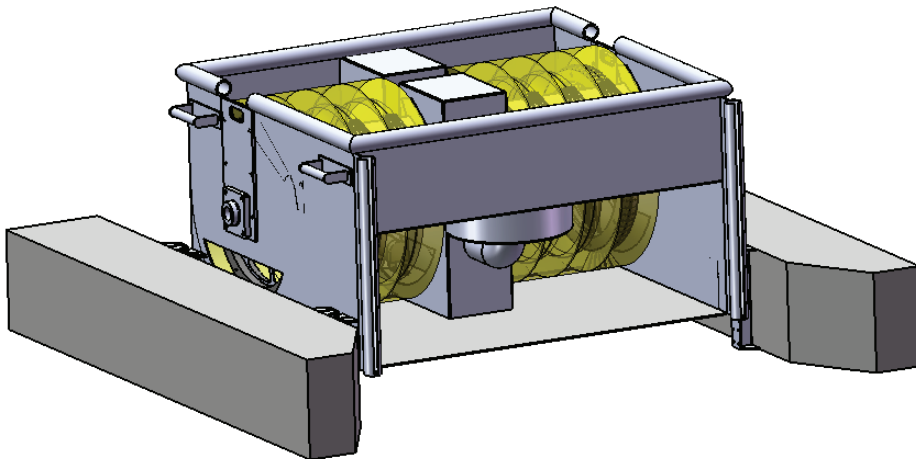


JOUSMOR® - 8H

The JOUSMOR R skimmer is suitable for collection from land or from a vessel.



Dimensions

Length 1900 mm
Width 2008 mm
Height 650 mm
Weight 147 kg

Capacity

Capacity 64 m³
Separation 5-10 %

Construction

Frame ALU
Polypropylene brushes
Cleaner ASI

Working conditions

3 metre wave
Water temperature 0 to +50 °C

Fibre thickness 0.4 to 0.7 mm. Diameter of brush rings 650 mm