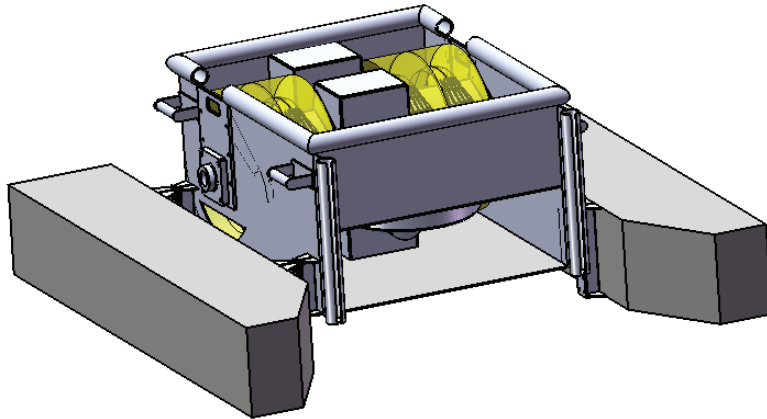


JOUSMOR® - 4H

The JOUSMOR® skimmer is suitable for collection from land or from a vessel.



Dimensions

Length 1500 mm

Width 1300 mm

Height 450 mm

Weight 67 kg

Capacity

Capacity 32 m³

Separation 5 to 10 %

Construction

Frame ALU

Polypropylene brushes

Cleaner ASI

Working conditions

Water temperature 0 to + 50 °C

Fibre thickness 0.4 to 0.7 mm. Diameter of brush rings 450 mm